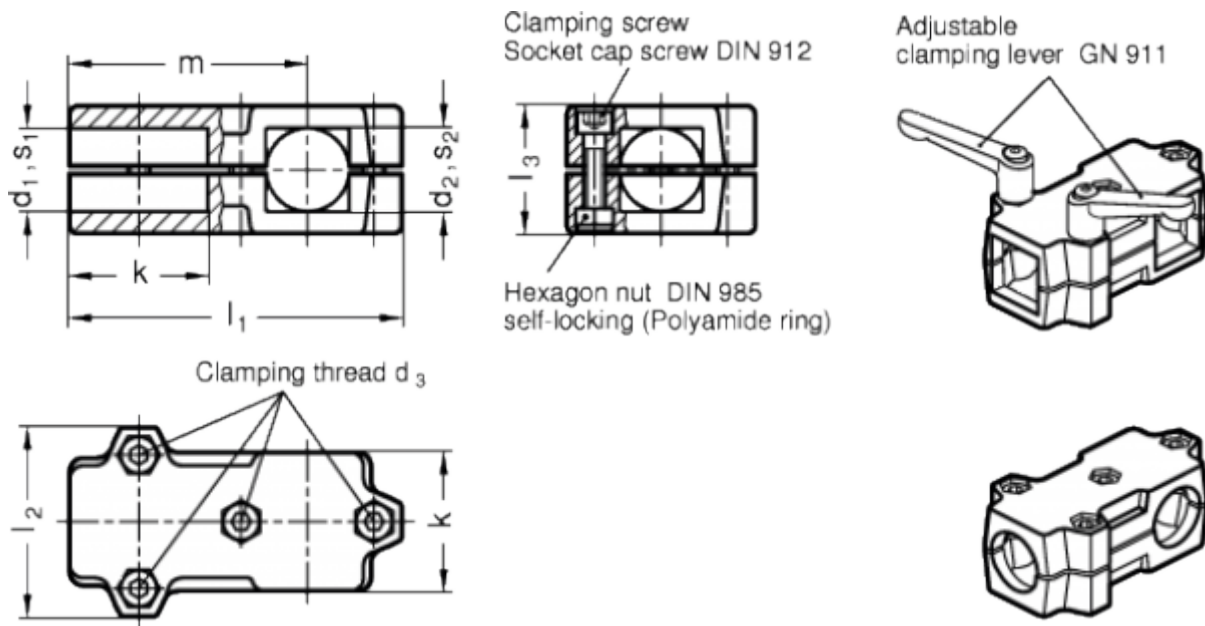


Article number: 20193V25B25502BL
 Description: E+G T-angel clamp
 GN 193-V25-B25-50-2-BL

Measures



| | | |
|----------------------------|---------------|-------|
| Accessories = GN 911-M8-40 | m | = - |
| d1 = - | s1 | = 25 |
| d2 = 25 | s2 | = - |
| d3 = M8 | Weight in (g) | = 430 |
| k = 50 | | |
| l1 = 120 | | |
| l2 = 68 | | |
| l3 = 46 | | |